

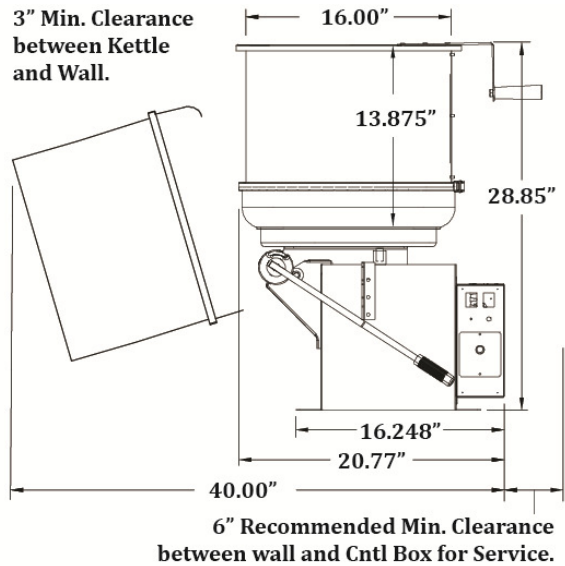


**GOLD MEDAL® PRODUCTS CO.**

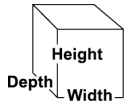
# Corn Treat

Model No. 2175EL and 2175ER

## Specifications



General RH Unit shown above for dim. reference.



### Overall Dimensions:

**Width:** 20.77" (52.8 cm)

**Depth:** 17.6" (44.7 cm)

**Height:** 28.85" (73.3 cm)

Reference drawing shown for additional dimensions and clearances required.

### Electrical - Domestic

120/208 OR 120/240V

3408 WATTS 60 Hz

(NEMA L14-20P) Plug

Unit designed to operate on single phase, 20 AMP, 4 wire supply (2 Hot, 1 Neutral, 1 Ground). Wall receptacle is supplied with unit.

### Models:

**Model 2175EL** - Left Hand Dump

**Model 2175ER** - Right Hand Dump

### Features:

- 5 Gallon Capacity (3-4 batches/hour)
- Electronic Temperature Control
- Cast Aluminum Kettle with Stainless Steel Drum

**Plug Type:**



**Agency Approvals:**



**Gold Medal Products Co.**  
10700 Medallion Drive, Cincinnati, OH 45241

Ph: (513) 769-7676, (800) 543-0862; Fax: (513) 769-8500  
gmpopcorn.com info@gmpopcorn.com